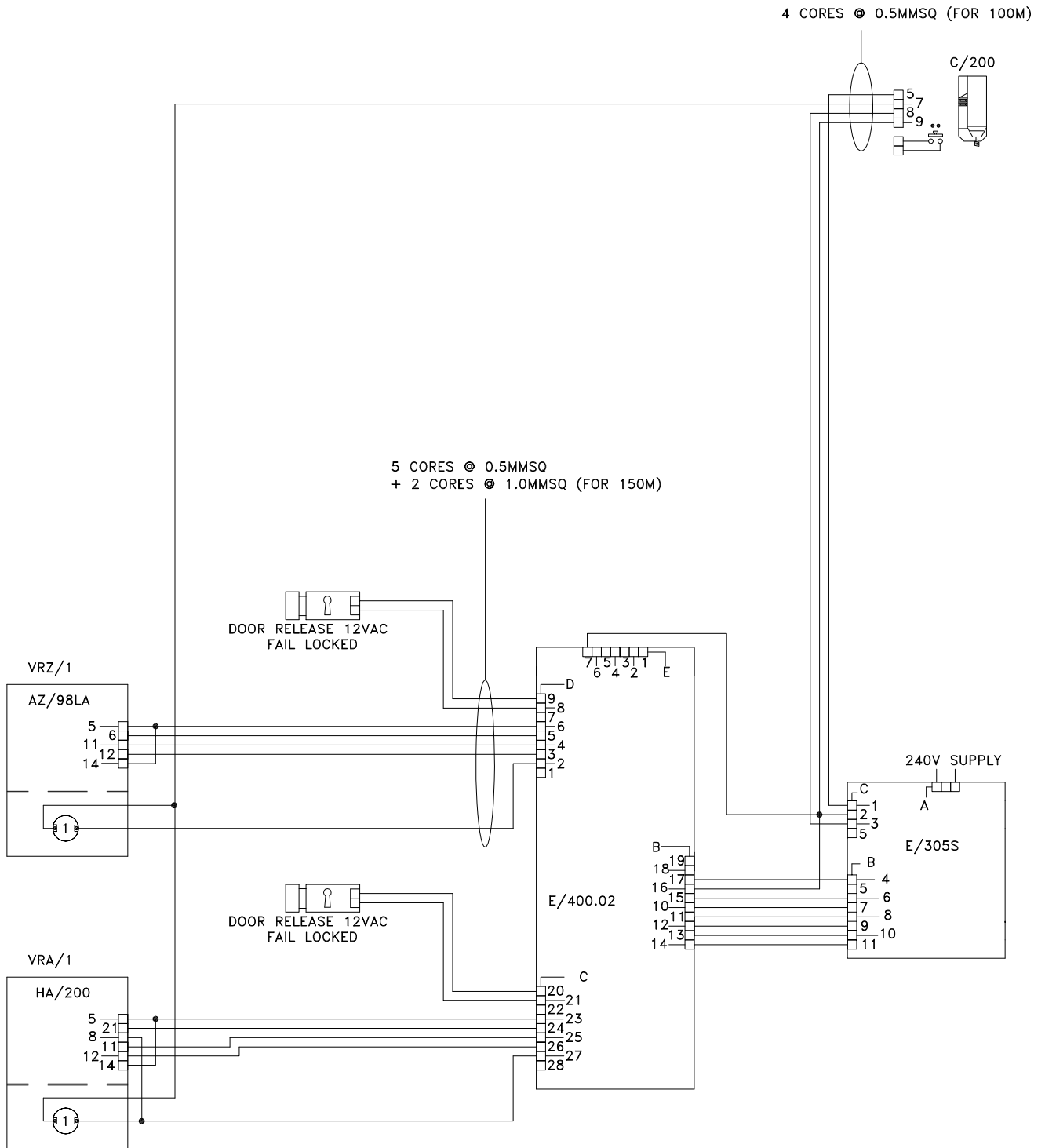


NOTE:
THIS DRAWING INDICATES AND ASSUMES THE USE OF
A MINIMUM OF 0.5MM CSA PER CORE.



BPT (UK) LTD.
HERTS. ENGLAND

PREPARED FOR
INSTALLER INFORMATION

DATE: 17/09/07
DRAWN: RC
REVISED:

DRAWING TITLE:

2 X 1 BUTTON VR AUDIO ENTRY PANELS
& 1 HANDSET (USING E305S PSU)

DRAWING No: D-1V2C1L(D)